

# Edge Luminaire with Legend Brillant

## 1508 CG-S to 1808 CG-S

### 1508 to 1808



1508 CG-S  
Design white



1608 CG-S  
Design white



1708 CG-S  
Design white



1808 CG-S  
with metal bezel

### Technical data

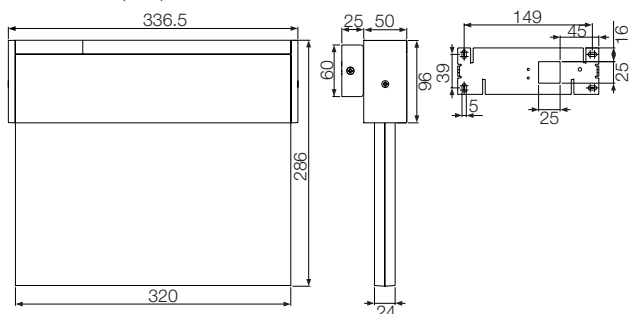
#### 1508 CG-S to 1808 CG-S

<b>Viewing distance</b>	<b>28 m</b>
Enclosure material	Aluminium
Enclosure colour	white
Weight incl. panel B	1508 CG-S / 3.4 kg
	1608 CG-S / 3.4 kg
	1708 CG-S / 3.0 kg
	1808 CG-S / 4.2 kg
Dimensions (mm) (L x H x D)	see dimensional drawings
Connection terminals	Loop terminals 3 x 2.5 mm <sup>2</sup>
Voltage ranges	230/240 V 50/60 Hz. 220 V DC +25/-20 %
Current consumption (220 V battery)	30 mA (8 W)
Power consumption	16 VA
Permissible temperature range	-10°C to + 40°C
lamp	8 W/T16, 450 lm
Insulation class	I
Degree of protection	IP 20

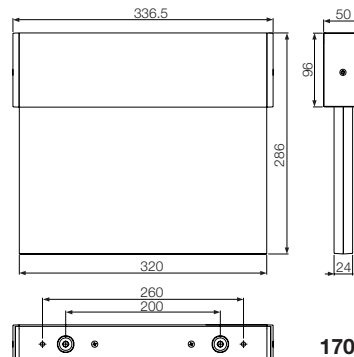
### Ordering details

Type	Scope of supply	Order No.
1508 CG-S	Edge luminaire with CEWA GUARD monitoring and 20 digit address switches; with wall bracket for parallel to wall mounting, without panel; design: white, RAL 9010	4 0071 348 710
1508	design: white, RAL 9010	4 0071 348 709
1608 CG-S	Edge luminaire with CEWA GUARD monitoring and 20 digit address switches; with wall bracket, without panel; design: white, RAL 9010	4 0071 348 712
1608	design: white, RAL 9010	4 0071 348 711
1708 CG-S	Edge luminaires with CEWA GUARD monitoring and 20 digit address switches; for ceiling mounting, with accessories for chain suspension and accessories for pendulum mounting, without panel; design: white, RAL 9010	4 0071 348 714
1708	design: white, RAL 9010	4 0071 348 713
1808 CG-S	Edge luminaires with CEWA GUARD monitoring and 20 digit address switches; for ceiling mounting, without panel; design: plastic bezel white, RAL 9010	4 0071 348 716
1808	design: plastic bezel white, RAL 9010	4 0071 348 715
Bezel for 1808 CG-S	metal bezel white, RAL 9010	4 0071 348 859
1808		

#### Dimensions (mm)

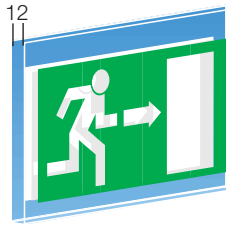


1508 CG-S / 1508

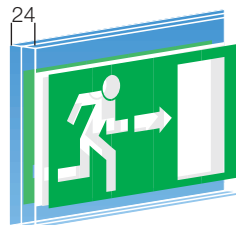


1708 CG-S / 1708

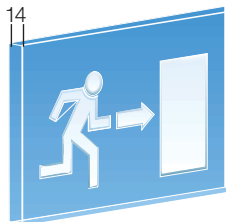
# Edge Luminaire with Legend Brillant 1508 CG-S to 1808 CG-S 1508 to 1808



Panel A



Panel B



Panel C

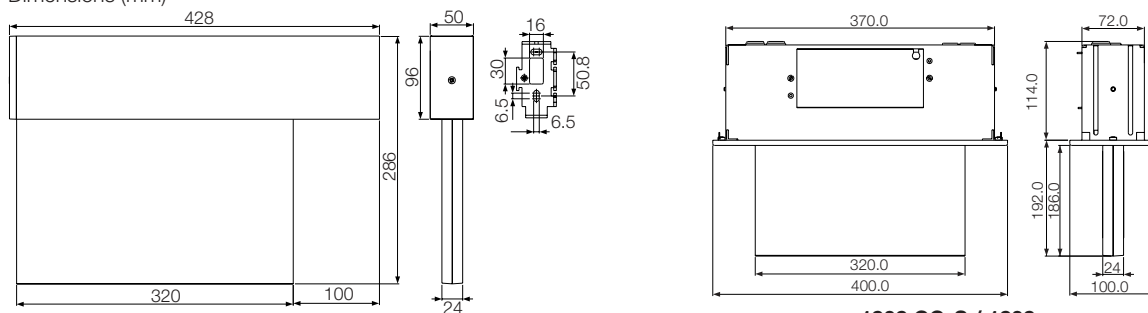
## Ordering details for panels

Type	Scope of supply	Order No.
Panel A PL acc. DIN 4844	Single-sided silk screened legend	4 0071 348 923
Panel A PR acc. DIN 4844	Single-sided silk screened legend	4 0071 348 924
Panel A PU acc. DIN 4844	Single-sided silk screened legend	4 0071 348 922
Panel B PL/PR acc. DIN 4844	Double-sided silk screened legend	4 0071 348 925
Panel B PU/PU acc. DIN 4844	Double-sided silk screened legend	4 0071 348 926
Panel B PU/BL acc. DIN 4844	Double-sided silk screened legend	4 0071 349 886
Glass panel C PL/PR	Crystal glass panel; special application, not acc. to DIN/EN	4 0071 348 927
Glass panel C PU	Crystal glass panel; special application, not acc. to DIN/EN	4 0071 348 928
Panel A PL	Single-sided silk screened legend	4 0071 341 532
Panel A PR	Single-sided silk screened legend	4 0071 341 533
Panel A PU	Single-sided silk screened legend	4 0071 341 531
Panel B PL/PR	Double-sided silk screened legend	4 0071 341 527
Panel B PU/PU	Double-sided silk screened legend	4 0071 341 526
Panel B PU/BL	Double-sided silk screened legend	4 0071 349 180
Glass panel C PL/PR	Crystal glass panel; special application, not acc. to DIN/EN	4 0071 341 535
Glass panel C PU	Crystal glass panel; special application, not acc. to DIN/EN	4 0071 341 534

## Accessories

Type	Scope of supply	Order No.
Concrete ceiling box for 1808 ...	for installation in concrete ceilings	4 0071 341 710
Mounting set for 1808 ...	for installation in concrete ceiling box	4 0071 341 720
Pendulum set, white	0.5 m with wall bracket for 1708 ...	4 0071 348 721
Pendulum set, white	1.5 m with wall bracket for 1708 ...	4 0071 348 722
Chain suspension, metal	chain suspension for 1708 ...	4 0071 348 723

Dimensions (mm)



1608 CG-S / 1608

1808 CG-S / 1808

Ceiling cut-out required  
387<sup>(+2,5)</sup> x 75<sup>(+2,5)</sup>